

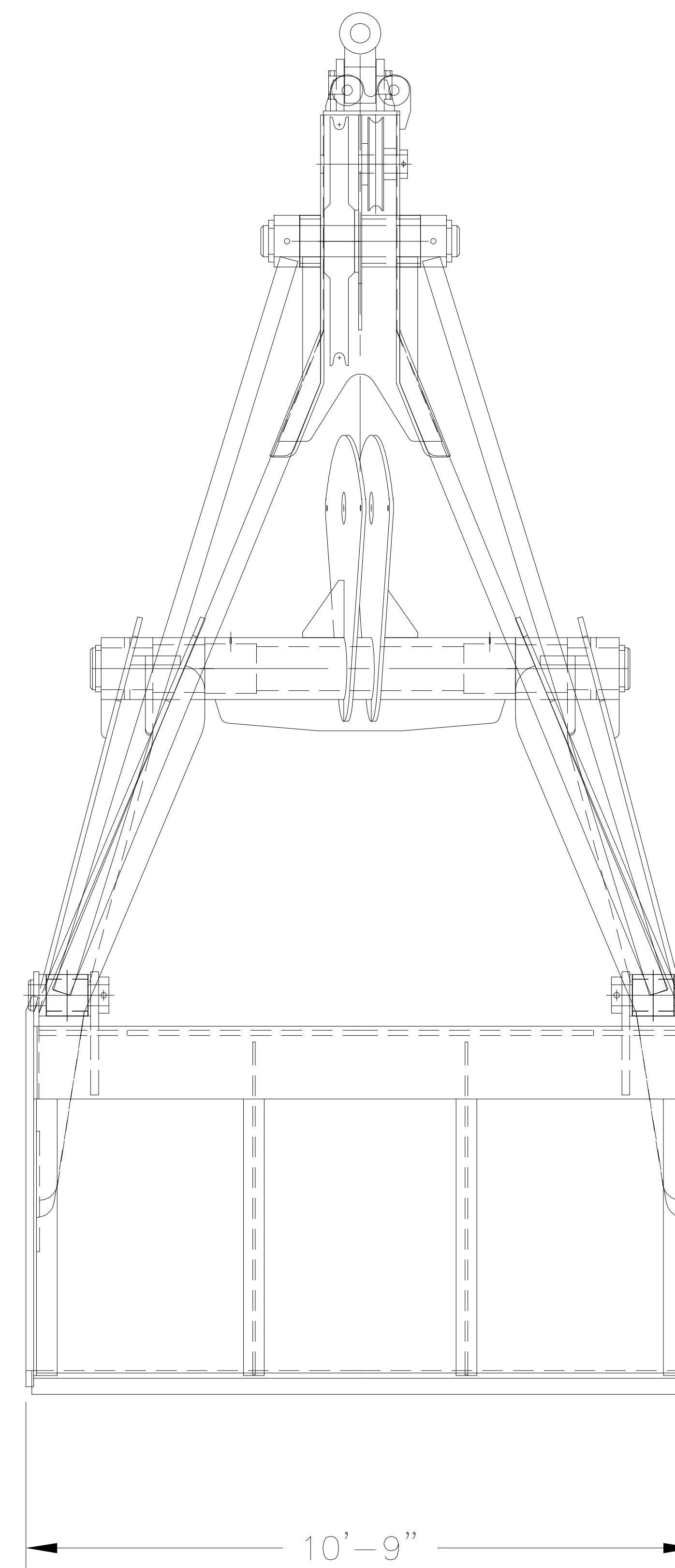
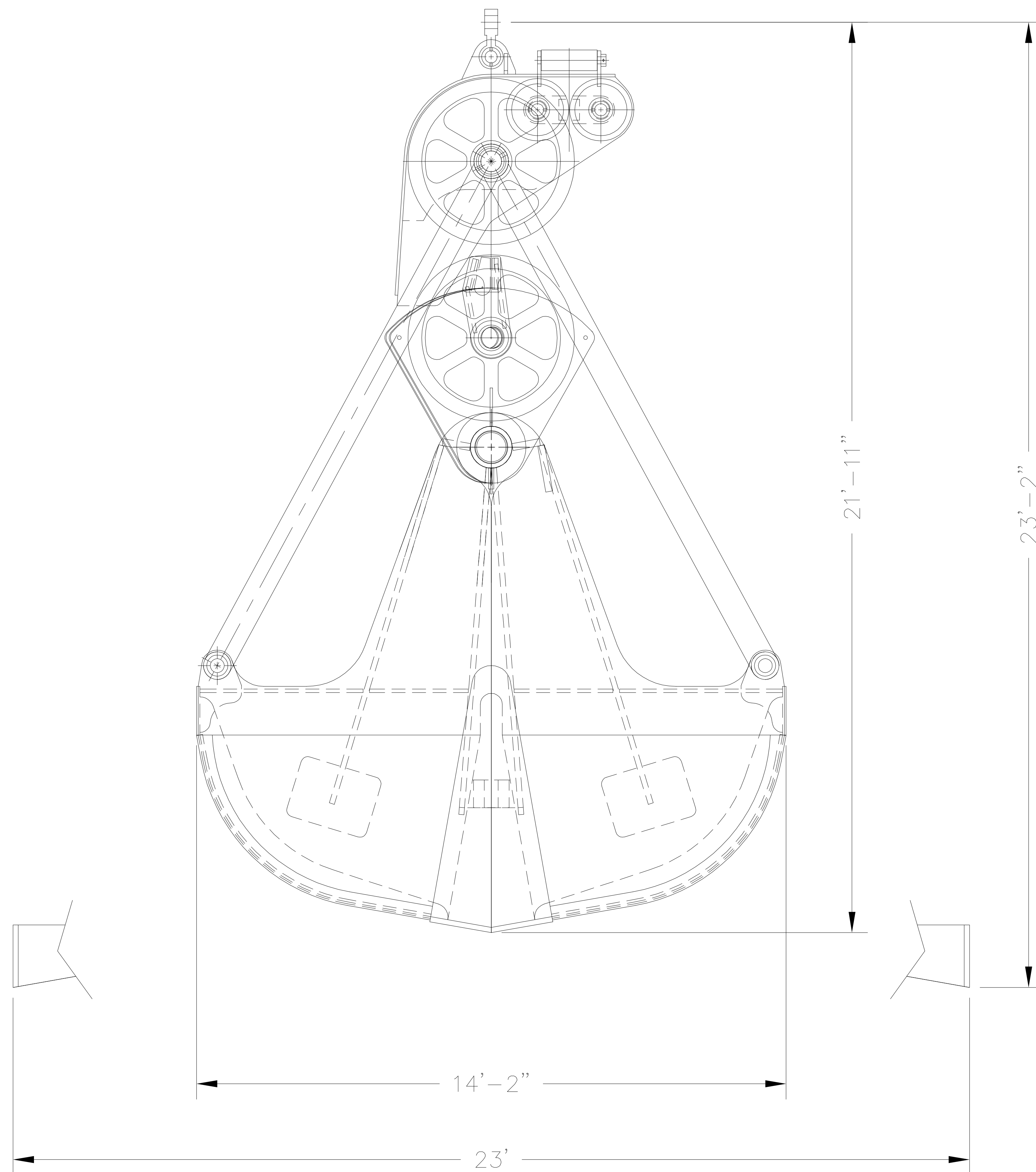
# SPECIFICATIONS

RATED CAPACITY	26	CU. YD.
PLATE LINE	702	CU. FT.
WATER LEVEL	702	CU. FT.
DECK AREA	248	SQ. FT.
SHEAVE DIA.	48"	
CABLE DIA.	2"	
CABLE TO REEVE	63'-0"	
CABLE TO CLOSE	33'-0"	
MAX. PARTS	2	
WEIGHT	36,000	LBS.



**RPI Equipment, LLC**  
 26 W Main Street  
 Mount Ephraim, NJ 08059

[rpiequipment.com](http://rpiequipment.com)  
 (856) 456-0081 • office  
 (856) 742-1994 • fax



*ANVIL*

MFG. CO.  
 SLAUGHTER LA.

26 CY MUD BUCKET

GENERAL ARRANGEMENT

PRO-LINE STYLE

NO.	DATE	DESCRIPTION	DRAWN BY	CWB	DATE	9/27/06	DRAWING NO.	REV.NO.
		REVISION	APPR. BY		SCALE		P06-037	