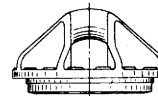
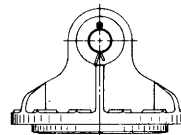


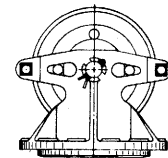
CYLINDER HEAD OPTIONS



BAR TYPE



SAND DRAIN TYPE



SHEAVE TYPE



VULCAN IRON WORKS INC.

SPECIFICATIONS



VULCAN SINGLE ACTING PILE HAMMER

Size 2

Model No. 01V100 Spec. No. 2209

OPERATING DATA

Rated Striking Energy.....	7,260 Ft. Lb.....	1,003 kg m
Blows Per Minute @ Rated Pressure.....	70.....	70
Nominal Stroke.....	2.42 Ft.....	738 mm
Striking Velocity @ Impact.....	12.54 FPS.....	3.82 m/sec.
Max Force @ Impact.....	1,166,500 Lb.....	529,124 kg
Rated Operating Pressure @ Hammer.....	80 p.s.i.....	5.62 kg/cm ²
Steam Consumption-From & @ 212° F./100° C.....	1,690 Lb./hr.....	766 kg/hr.
Air Consumption — (Adiabatic Compression).....	336 CFM.....	9.50 cu m/min.
Boiler H.P. Req'd. — ASME Rating.....	49 USHP.....	50 MHP
√EW Rating @ Energy Rating.....	4,666.....	4,666

DIMENSIONAL DATA

Diameter of Piston.....	10 ½ In.....	266 mm
Area of Piston — Net.....	86.59 Sq. In.....	558.64 cm ²
Length of Hammer — Overall.....	11' 7".....	354 mm
Distance Across Jaws.....	19 In.....	482 mm
Width of Jaws.....	7 ¼ In.....	184 mm
Largest Diameter of Pile*.....	15 ½ In.....	393 mm
Size of Hose.....	1 ½ In.....	40 mm

WEIGHT DATA

Weight of Striking Parts.....	3,000 Lb.....	1,360 kg
Net Weight of Hammer.....	6,700 Lb.....	3,039 kg
Shipping Weight of Hammer.....	7,050 Lb.....	3,197 kg

*Permitted by Standard Jaws

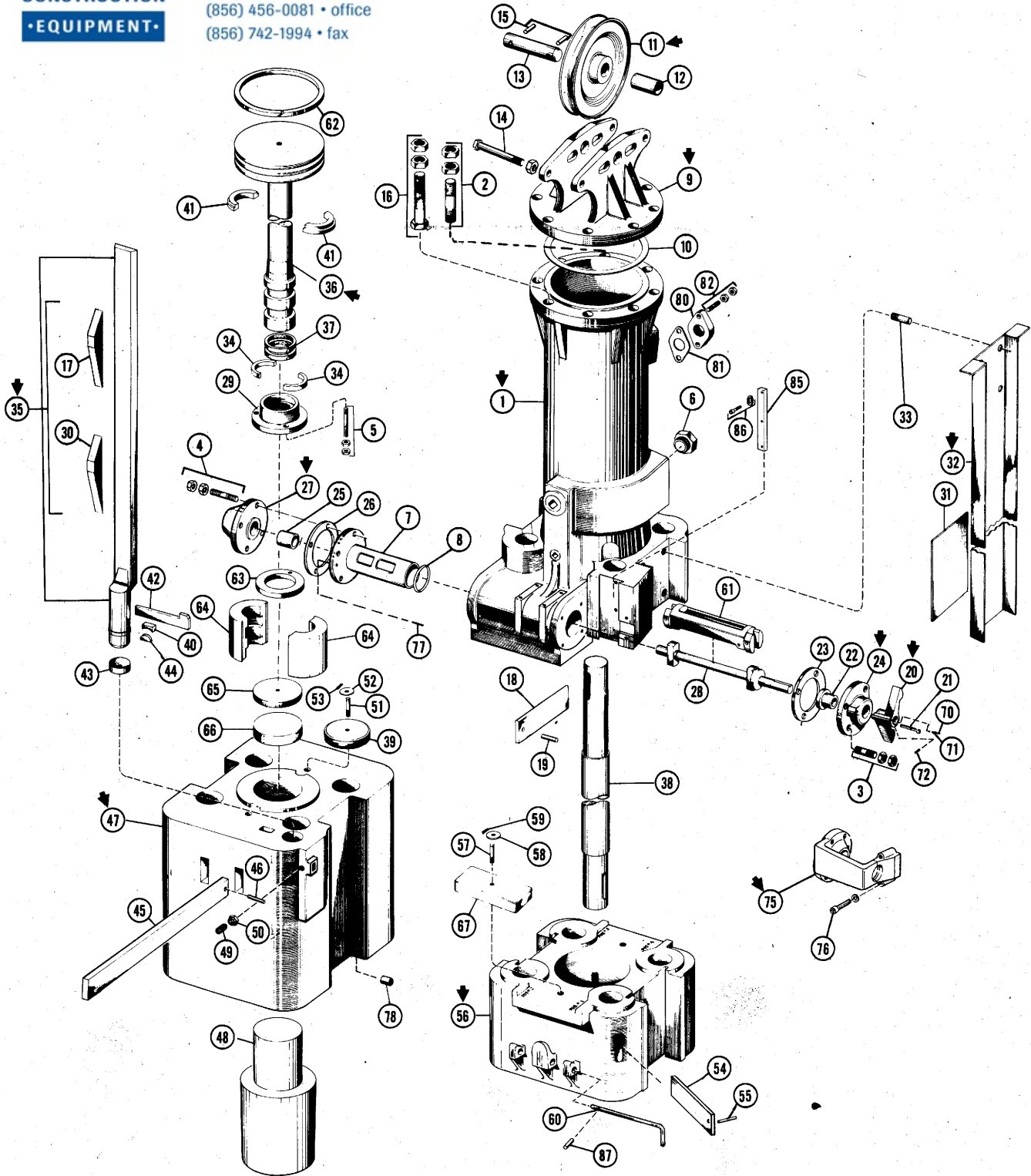


RPI Equipment, LLC
 26 W Main Street
 Mount Ephraim, NJ 08059
 rpiequipment.com
 (856) 456-0081 • office
 (856) 742-1994 • fax



RPI Equipment, LLC
26 W Main Street
Mount Ephraim, NJ 08059

rpiequipment.com
(856) 456-0081 • office
(856) 742-1994 • fax



← Indicates parts normally stocked as an assembly



REPLACEMENT PARTS LIST 2, 1, 06, 08, 010

KEY NO.	DESCRIPTION	PART NO. SIZE 2	PART NO. SIZE 1	PART NO. SIZE 06	PART NO. SIZE 08	PART NO. SIZE 010
←001	Cylinder Complete Incl. 1,2,3,5,7,8,4,16,6	01V0900-1	02V0900-1	03V0900-1		
←001	Cylinder Complete Incl. 1,2,3,4,5,6,7,8,85,86				04V0930-1	05V0931-1
←001	Cylinder Only Incl. 1,7,8	01V0916-1	02V0919-1	03V0918-1		
←001	Cylinder Only Incl. 1,6,7,8,85,86				04V0929-1	05V0930-1
←009	Cylinder Head Complete Incl. 9,11,12,13,14,15	01V0910-1	02V0909-1	03V0909-1	04V0909-1	05V0910-1
←011	Head Sheave Incl. 11,12	01V0909-1	02V0924-1	03V0923-1	04V0923-1	05V0924-1
←020	Trip Complete Incl. 20,70,71,72	01V0915-1	02V0911-1	03V0911-1	04V0911-1	05V0912-1
←024	Open Steam Chest Head Incl. 24,22	01V0901-1	02V0901-1	03V0901-1	04V0916-1	05V0915-1
←027	Blind Steam Chest Head Incl. 27,25	01V0902-1	02V0902-1	03V0902-1	04V0902-1	05V0902-1
←032	Side Channel Compl. Incl. 32,31,33	01V0911-2	02V0912-2	03V0912-2	04V0912-2	05V0911-2
←032	Side Channel Compl. Incl. 32,31,33 Old Style	01V0925-2	02V0917-2			
←035	Slide Bar Complete Incl. 35,17,30,44	01V0907-1	02V0907-1	03V0907-1	04V0907-1	05V0907-1
←035	Slide Bar Complete Incl. 44 Nylon	01V0908-1	02V0908-1	03V0908-1	04V0908-1	05V0908-1
←036	Piston & Rod Complete Incl. 36,37,62	01V0903-1	02V0903-1	03V0903-1	04V0903-1	05V0903-1
←047	Ram Complete Incl. 47,48,39,43,49,50,51,52,53,78	01V0905-1	02V0905-1	03V0905-1	04V0905-1	05V0905-1
←047	Ram Only Incl. Babbitt		02V0927-1	03V0926-1	04V0925-1	05V0926-1
←056	Base Complete Incl. 55,56,57,58,59,60,67,54	01V0906-1	02V0906-1	03V0906-1	04V0906-1	05V0906-1
002	Cylinder Head Stud	01V0101-2	02V0101-2	03V0101-2	04V0101-12	05V0101-12
002	Cylinder Head Stud Nut — Jam	01V0102-2	02V0102-2	03V0102-2	04V0102-12	05V0102-12
002	Cylinder Head Stud Nut — Full	01V0103-2	02V0103-2	03V0103-2	04V0103-12	05V0103-12
003	Open Steam Chest Head Stud	01V0104-4	02V0104-4	03V0104-4	04V0104-4	05V0104-4
003	Open Steam Chest Head Stud Nut — Jam	01V0105-4	02V0105-4	03V0105-4	04V0105-4	05V0105-4
003	Open Steam Chest Head Stud Nut — Full	01V0106-4	02V0106-4	03V0106-4	04V0106-4	05V0106-4
004	Blind Steam Chest Head Stud	01V0107-4	02V0107-4	03V0107-4	04V0107-4	05V0107-4
004	Blind Steam Chest Head Stud Nut — Jam	01V0108-4	02V0108-4	03V0108-4	04V0108-4	05V0108-4
004	Blind Steam Chest Head Stud Nut — Full	01V0109-4	02V0109-4	03V0109-4	04V0109-4	05V0109-4
005	Stuffing Box Stud	01V0110-3	02V0110-3	03V0110-3	04V0110-3	05V0110-3
005	Stuffing Box Stud Nut — Jam	01V0111-3	02V0111-3	03V0111-3	04V0111-3	05V0111-3
005	Stuffing Box Stud Nut — Full	01V0112-3	02V0112-3	03V0112-3	04V0112-3	05V0112-3
006	Cylinder Pipe Bushing	01V0113-1	02V0113-1	03V0113-1	04V0113-1	05V0113-1
007	Cylinder Valve Liner	01V0113-1	02V0114-1	03V0114-1	04V0160-1	05V0160-1
008	Cylinder Valve Liner O-Ring Gasket	01V0114-1	02V0115-1	03V0115-1	04V0115-1	05V0115-1
009	Cylinder Head — Standard	01V0129-1	02V0130-1	03V0130-1	04V0133-1	05V0133-1
010	Cylinder Head Gasket	01V0116-1	02V0117-1	03V0117-1	04V0117-1	05V0117-1
012	Head Sheave Bushing	01V0138-1	02V0135-1	03V0135-1	04V0137-1	05V0137-1
013	Sheave Pin	01V0139-1	02V0136-1	03V0136-1	04V0138-1	05V0138-1
014	Cross Cylinder Head Bolt	01V0140-2	02V0137-2	03V0137-2	04V0139-2	05V0139-2
014	Cross Cylinder Head Bolt Nut	01V0141-2	02V0138-2	03V0138-2	04V0140-2	05V0140-2
015	Sheave Pin - Cotter	01V0142-2	02V0139-2	03V0139-2	04V0141-2	05V0141-2
016	Cylinder Head Bolt	01V0143-6	02V0140-6	03V0140-6		
016	Cylinder Head Bolt Nut — Full	01V0144-12	02V0141-12	03V0141-12		
017	Upper Wedge	01V0207-1	02V0207-1	03V0207-1	04V0207-1	05V0207-1
018	Upper Column Key	01V0302-4	02V0304-4	03V0304-4	04V0304-4	05V0304-4
018	Upper Column Key — Oversize		02V0318-4	03V0318-4	04V0312-4	05V0312-4
019	Upper Column Key Pin	01V0303-4	02V0305-4	03V0305-4	04V0305-4	05V0305-4
021	Trip Key	01V0147-1	02V0142-1	03V0142-1	04V0142-1	05V0142-1
022	Open Steam Chest Head Bushing	01V0118-1	02V0119-1	03V0119-1	04V0119-1	05V0119-1
023	Open Steam Chest Head Gasket	01V0120-1	02V0121-1	03V0121-1	04V0124-1	05V0124-1
025	Blind Steam Chest Head Bushing	01V0122-1	02V0123-1	03V0123-1	04V0126-1	05V0126-1
026	Blind Steam Chest Head Gasket	01V0123-1	02V0124-1	03V0124-1	04V0127-1	05V0127-1
028	Valve Stem	01V0124-1	02V0125-1	03V0125-1	04V0128-1	05V0128-1
029	Gland	01V0125-1	02V0126-1	03V0126-1	04V0129-1	05V0129-1
030	Lower Wedge	01V0208-1	02V0208-1	03V0208-1	04V0208-1	05V0208-1
031	Bottom Plate — Side Channel	01V0501-2	02V0501-2	03V0501-2	04V0501-2	05V0501-2
033	Channel Rivet Stud	01V0502-8	02V0502-8	03V0502-8	04V0502-12	05V0502-12
034	Gland Bushing	01V0126-1	02V0127-1	03V0127-1	04V0130-1	05V0130-1
036	Piston & Rod	01V0400-1	02V0400-1	03V0400-1	04V0400-1	05V0400-1
037	Piston & Rod Packing	01V0401-2	02V0401-2	03V0401-2	04V0401-3	05V0401-3
038	Column	01V0301-4	02V0303-4	03V0303-4	04V0303-4	05V0303-4
039	Upper Rubber Bumper	01V0224-2	02V0224-2	03V0224-2	04V0224-2	05V0224-2
040	Slide Bar Key Block	01V0211-1	02V0211-1	03V0211-1	04V0211-1	05V0211-1
041	Junk Ring	01V0127-1	02V0128-1	03V0128-1	04V0131-1	05V0131-1

← Indicates parts normally stocked as an assembly



REPLACEMENT PARTS LIST 2, 1, 06, 08, 010

KEY NO.	DESCRIPTION	PART NO. SIZE 2	PART NO. SIZE 1	PART NO. SIZE 06	PART NO. SIZE 08	PART NO. SIZE 010
042	Slide Bar Key	01V0213-1	02V0213-1	03V0213-1	04V0213-1	05V0213-1
043	Slide Bar End Block	01V0214-1	02V0214-1	03V0214-1	04V0214-1	05V0214-1
044	Slide Bar Key Block Seat	01V0212-1	02V0212-1	03V0212-1	04V0212-1	05V0212-1
045	Ram Key	01V0205-2	02V0205-2	03V0205-2	04V0205-2	05V0205-2
046	Ram Key Pin	01V0206-2	02V0206-2	03V0206-2	04V0206-2	05V0206-2
048	Ram Point	01V0201-1	02V0201-1	03V0201-1	04V0201-1	05V0201-1
049	Set Screw for Slide Bar Key	01V0203-2	02V0203-2	03V0203-2	04V0203-2	05V0203-2
050	Lock Nut for Set Screw — Jam	01V0204-2	02V0204-2	03V0204-2	04V0204-2	05V0204-2
051	Upper Bumper Stud	01V0217-2	02V0217-2	03V0217-2	04V0217-2	05V0217-2
052	Washer/Bumper Stud	01V0218-2	02V0218-2	03V0218-2	04V0218-2	05V0218-2
053	Pin/Bumper Stud	01V0219-2	02V0219-2	03V0219-2	04V0219-2	05V0219-2
054	Lower Column Key	01V0304-4	02V0306-4	03V0306-4	04V0306-4	05V0306-4
054	Lower Column Key — Oversize		02V0319-4	03V0319-4	04V0313-4	05V0313-4
055	Lower Column Key Pin	01V0305-4	02V0307-4	03V0307-4	04V0307-4	05V0307-4
056	Base	01V0300-1	02V0300-1	03V0300-1	04V0300-1	05V0300-1
057	Lower Bumper Stud	01V0306-2	02V0308-2	03V0308-2	04V0308-2	05V0308-2
058	Washer/Bumper Stud	01V0307-2	02V0309-2	03V0309-2	04V0309-2	05V0309-2
059	Pin/Bumper Stud	01V0308-2	02V0310-2	03V0310-2	04V0310-2	05V0310-2
060	Lock Bar		02V0301-2	03V0301-2	04V0301-2	05V0301-2
061	Valve	01V0128-1	02V0129-1	03V0129-1	04V0132-1	05V0132-1
062	Piston Ring	01V0402-2	02V0402-2	03V0402-2	04V0402-2	05V0402-2
062	Piston Ring — Std. Oversize*	01V0403-2	02V0403-2	03V0403-2	04V0403-2	05V0403-2
063	Ram Key Ring	01V0221-1	02V0221-1	03V0221-1	04V0221-1	05V0221-1
064	Split Bushing	01V0215-1	02V0215-1	03V0215-1	04V0215-1	05V0215-1
065	Ram Plate	01V0222-1	02V0222-1	03V0222-1	04V0222-1	05V0222-1
066	Ram Cushion	01V0216-1	02V0216-1	03V0216-1	04V0216-1	05V0216-1
067	Lower Rubber Bumper	01V0309-2	02V0311-2	03V0311-2	04V0311-2	05V0311-2
070	Set Screw — Ball Nose Spring Loaded Pin	01V0131-1	02V0132-1	03V0132-1	04V0135-1	05V0135-1
071	Ball Nose Spring Loaded Pin	01V0130-1	02V0131-1	03V0131-1	04V0134-1	05V0134-1
072	Trip Set Screw	01V0150-1	02V0152-1	03V0152-1	04V0159-1	05V0159-1
077	Cylinder Valve Liner Dowel Pin	01V0115-1	02V0116-1	03V0116-1	04V0116-1	05V0116-1
078	Ram Point Pin	01V0202-2	02V0202-2	03V0202-2	04V0202-2	05V0202-2
080	Pipe Flange	01V0145-1				
081	Pipe Flange Gasket	01V0146-1				
082	Pipe Flange Stud	01V0132-2				
082	Pipe Flange Stud Nut — Full	01V0133-2				
082	Pipe Flange Stud Nut — Jam	01V0134-2				
085	Dovetail Insert				04V0149-1	05V0149-1
086	Dovetail Insert Fastener Bolt				04V0150-3	05V0150-3
086	Dovetail Insert Fastener Bolt Lock Washer				04V0151-3	05V0151-3
087	Lock Bar Pin		02V0302-2	03V0302-2	04V0302-2	05V0302-2

NON CURRENT

←←←001	Cylinder W/O Steam Belt Complete Incl. 1,2 3,4,5,7,8,23,75,76,22				04V0900-1	05V0900-1
←←←001	Cylinder W/O Steam Belt Only Incl. 1,7,8,22,75 76				04V0917-1	05V0918-1
←←←001	Cylinder with Steam Belt Complete Incl. 1,7,8,2,3,4,5				04V0928-1	05V0929-1
←←←001	Cylinder with Steam Belt Only Incl. 1,7,8,6				04V0927-1	05V0928-1
←←←007	Cylinder Valve Liner				04V0114-1	05V0114-1
←←←075	Open Steam Chest Head Guard — Fabricated Incl. 75, 22				04V0901-1	05V0901-1
←←←076	Bolt for Outboard Bearing Guard				04V0120-2	05V0120-2
←←←076	Open Steam Chest Head Guard Washer				04V0121-2	05V0121-2
080	Pipe Flange					05V0144-1
081	Pipe Flange Gasket					05V0145-1
082	Pipe Flange Stud					05V0146-4
082	Pipe Flange Stud Nut — Full					05V0147-4
082	Pipe Flange Stud Nut — Jam					05V0148-4

*Standard Oversize Piston Rings are carried in stock 3/32" over standard size. Any other oversize rings shall be considered as special.

←←← Indicates parts normally stocked as an assembly

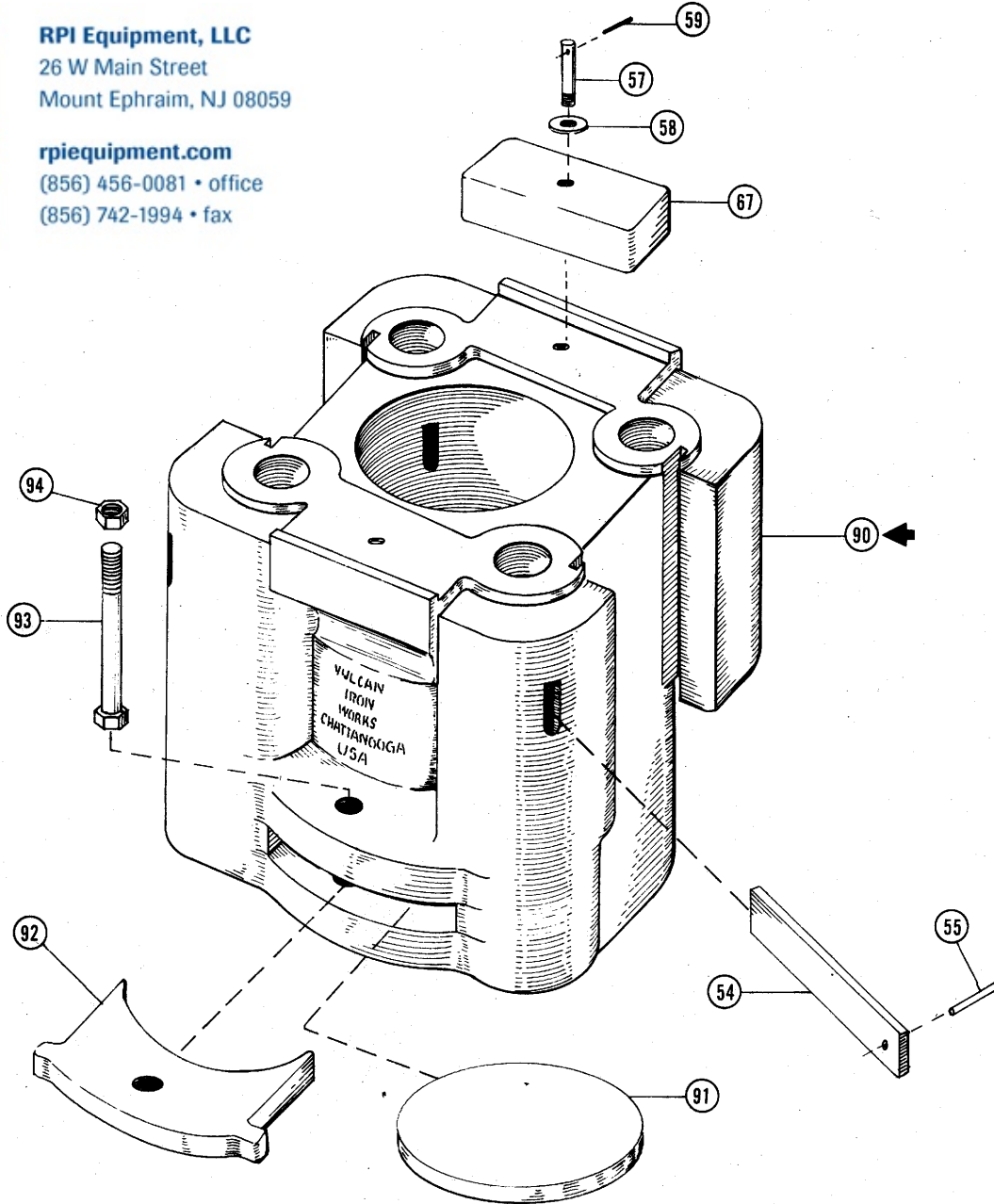


McDERMID BASE 2, 1, 106, 06



RPI Equipment, LLC
26 W Main Street
Mount Ephraim, NJ 08059

rpiequipment.com
(856) 456-0081 • office
(856) 742-1994 • fax



REPLACEMENT PARTS LIST

KEY NO.	DESCRIPTION	PART NO. SIZE 2	PART NO. SIZE 1	PART NO. SIZE 106	PART NO. SIZE 06
054	Lower Column Key	01V0304-4	02V0306-4	13V0304-4	03V0306-4
055	Lower Column Key Pin	01V0305-4	02V0307-4	13V0305-4	03V0307-4
057	Lower Bumper Stud	01V0306-2	02V0308-2	13V0306-2	03V0308-2
058	Washer/Bumper Stud	01V0307-2	02V0309-2	13V0307-2	03V0309-2
059	Pin/Bumper Stud	01V0308-2	02V0310-2	13V0308-2	03V0310-2
067	Lower Rubber Bumper	01V0309-2	02V0311-2	13V0309-2	03V0311-2
090	McDermid Base	01V0311-1	02V0313-1	13V0313-1	03V0313-1
091	McDermid Plate	01V0310-1	02V0312-1	13V0312-1	03V0312-1
092	McDermid Door	01V0312-1	02V0314-1	13V0314-1	03V0314-1
093	McDermid Door Bolt	01V0313-1	02V0315-1	13V0315-1	03V0315-1
093	McDermid Door Bolt Nut	01V0314-1	02V0317-1	13V0317-1	03V0317-1
094	Cotter Pin	01V0315-1	02V0316-1	13V0316-1	03V0316-1
← 090	McDermid Base Complete Incl. 54,57,58,59,67 90,91,92,93,94,55	01V0914-1	02V0914-1	13V0919-1	03V0914-1

← Indicates parts normally stocked as an assembly