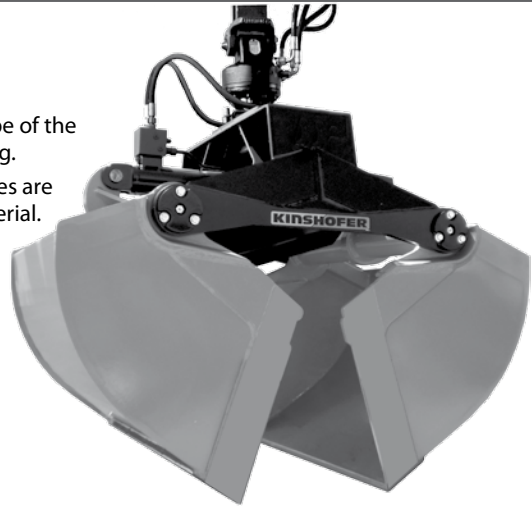


High Volume Clamshell Bucket with Horizontal Hydraulic Cylinder

KM 602

A robust clamshell bucket for handling loose material as sand, gravel, soil – perfectly matched to heavy duty work on vehicle mounted cranes.

- **Excellent filling characteristics** of the rugged grapple due to the special shape of the buckets and the wide separation between their axes that enables wide opening.
- **Practically no “left overs”** of the material to be picked up as the working edges are vertical when the buckets are open and allow a deep plunge into a pile of material.
- **High stability** through reinforced buckets, torsion-free frame, generously dimensioned bearing system and the use of 500 HB steel in the manufacture of cutting edges.
- **Combination of compensator mechanism and cylinder guard** has many advantages: parallel action, longer life for piston rod and seals, significant weight savings.
- **Efficient handling** with high closing forces (6160 lbf at an operating pressure of 3770 psi).



Package High Volume Clamshell Bucket KM 602 c

Type	Volume (c.y.)	Width B (in)	max. Opening (in)	No. of teeth (optional)	Self weight (lbs)	Closing force (lbf)	Load capacity (lbs)
KM 602-400 c	0.52	32	72	9	1023	6160	6600
KM 602-500 c	0.65	39	72	9	1122	6160	6600

Package consists of: high volume clamshell bucket, rotator KM 04 F, short connecting hoses KM 203 01, upper suspension KM 501 4500, (without teeth), non-return valve

note: UK package of KM 602 includes KM 04 F, KM 501, KM 203 01, KM 685 06 eye set 2, KM 685 07 set

High Volume Clamshell Bucket KM 602

Type	Volume (c.y.)	Width B (in)	max. Opening (in)	Number of teeth (optional)	Self weight (lbs)	Closing force (lbf)	Load capacity (lbs)
KM 602-300	0.39	20	72	5	924	6160	6600
KM 602-400	0.52	32	72	9	990	6160	6600
KM 602-500	0.65	39	72	9	1023	6160	6600
KM 602-650	0.85	47	72	9	1056	6160	6600
KM 602-1000	1.31	47	86	9	1518	5060	6600

Accessories

Type	Description
KM 04 F	recommended KINSHOFER rotator for KM 602
KM 04 S	KINSHOFER shaft rotator for precise positioning of the load – up to 9900 lbs load capacity
KM 04 S68-30US	KINSHOFER shaft rotator for heavy duty tasks – up to 9900 lbs load capacity
KM 505	quick change system for shaft-type rotator KM 04 S
KM 505 HD	quick change system for shaft-type rotator KM 04 S68-30US
KM 502 4500	reduction link between rotator and grapple
KM 685 06 eye set 2	welded eyes
KM 685 07 set	wear plates to protect horizontal cutting edges (2 pieces)

Requirements of Truck Crane

Operating pressure: 3770 to 4640 psi
Pump capacity: 9.3 to 19.8 GPM

Technical Drawings

