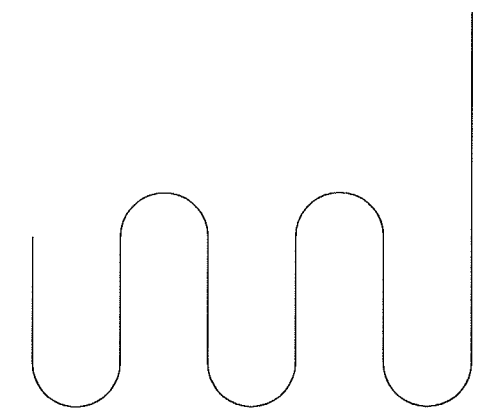



SPECIFICATIONS

RATED CAPACITY (PLATE LINE)	3	CU.YD.
PLATE LINE	81	CU.FT.
WATER LEVEL	67.3	CU.FT.
DECK AREA	57.5	SQ.FT.
SHEAVE DIA. (QTY: 5)	24"	DIA.
CABLE DIA.	1 1/8"	DIA.
CABLE TO REEVE	71'-0"	
CABLE TO CLOSE	35'-5"	
MAX. PARTS	6	
WEIGHT ±3%	13,500	LBS.

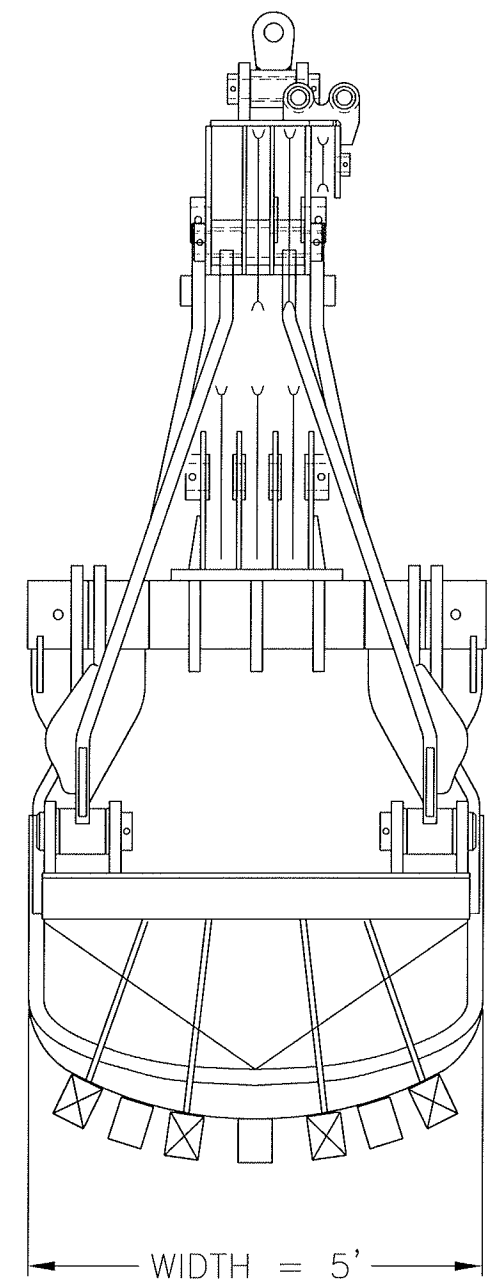
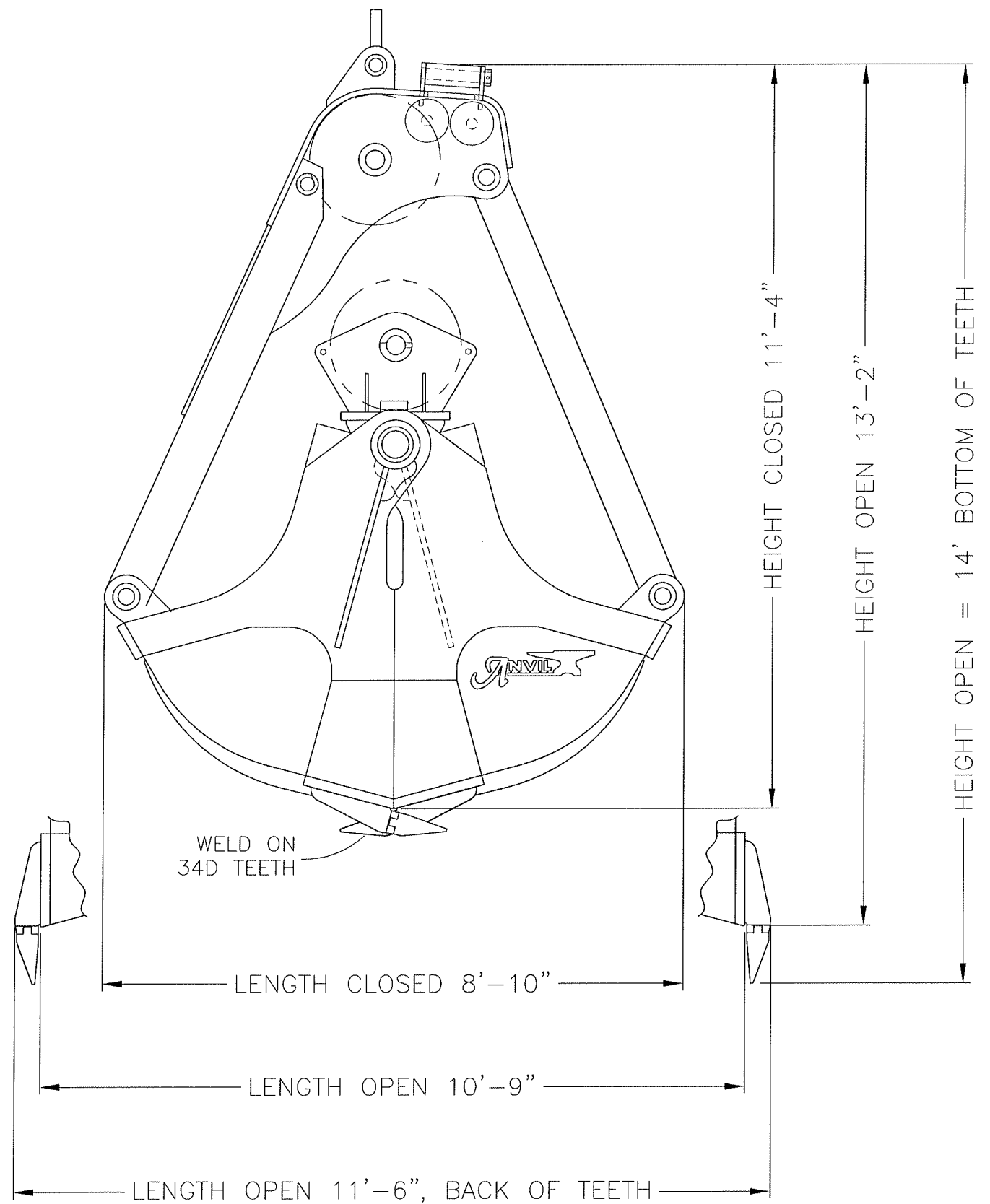
REEVING LAYOUT





APPROVAL SIGNATURE: _____

APPROVAL DATE: _____



TOLERANCES UNLESS SPECIFIED	
FRACTIONAL	± 1/64
.00	± .01
.000	± .002
.0000	± .0005
ANGULAR	± 1/2'
FINISH	125/

THIS DRAWING IS PROPERTY OF ANVIL ATTACHMENTS, LLC. LOANED TO THE RECIPIENT WHO AGREES THAT IT SHALL NOT BE GIVEN OUT, COPIED OR DUPLICATED FOR THE USE OF ANOTHER, BUT USED ONLY BY RECIPIENT FOR THE PURPOSE OF MAINTAINING THE EQUIPMENT TO WHICH IT REFERS.

NO.	DATE	DESCRIPTION	INIT.
A	7/1/15	UPDATE LAYOUT; LENGTH CLOSED WAS 9'4"	LAM
REVISION			

DWG. STD. - ASME Y14.5m-1994

BY: LAM 6/23/15
 CHK: *NS* 7/1/15



3 CY 2-ROPE XHD ROUND NOSE
 ~ APPROVAL DRAWING ~

SCALE:	WEIGHT:	REV.	SHT. #
NTS		A	1 OF 1