

HAMMER MODELS 9B3, 10B3 & 11B3 • SPECIFICATIONS • DIMENSIONS • PARTS

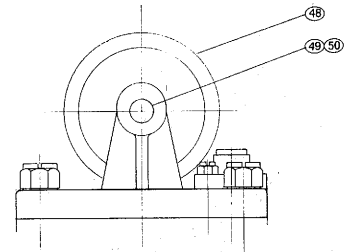
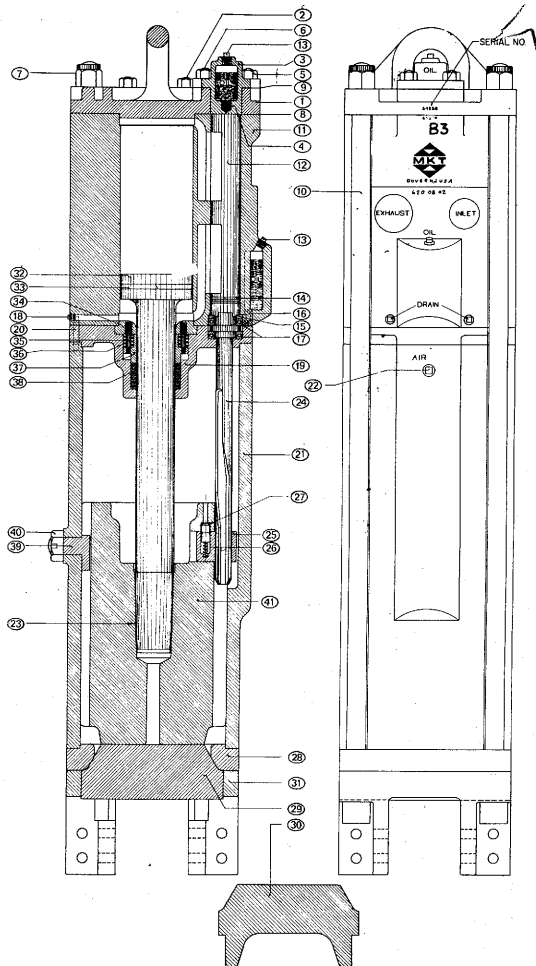
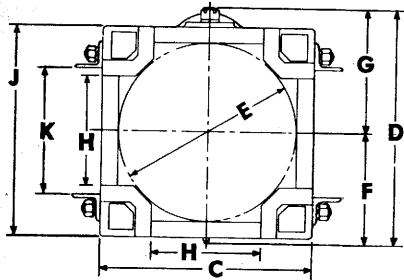
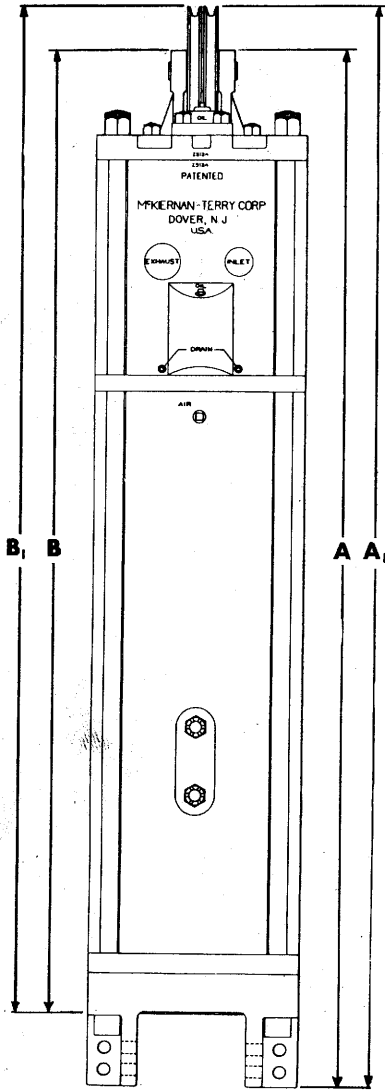
DIMENSIONS	HAMMER MODEL	9B3	10B3	11B3
A Overall Length, Top of Bail — to Bottom of Retainer Legs		99¾"	110"	
A ₁ Top of Sheave to Bottom of Retainer Legs				133½"
B Overall Length, Top of Bail — to Bottom of Anvil		90"	101"	
B ₁ Top of Sheave to Bottom of Anvil				124¾"
C Overall Width		20"	24"	26"
D Overall Depth		25"	27¼"	29"
E Circular Clearance Between Retainer Legs		15"	19"	22"
F Center Line of Hammer to Rear of Hammer		11½"	12¾"	13¾"
G Center Line of Hammer to Front of Hammer		13½"	14½"	15½"
H Lateral Distance Between Retainer Legs		9"	11"	13½"
J Depth of Hammer at Base		20"	24"	26"
K Maximum Back to Back Spacing, Angle-Iron Guides		8½"	10¼"	15"

NOTE: ON 9B3 P.H. RAM GUIDE NUT IS ON BACK OF HAMMER.



RPI Equipment, LLC
 26 W Main Street
 Mount Ephraim, NJ 08059

rpiequipment.com
 (856) 456-0081 • office
 (856) 742-1994 • fax



Model 11B3

HAMMER MODELS 9B3, 10B3 & 11B3 • SPECIFICATIONS • DIMENSIONS • PARTS



RPI Equipment, LLC
26 W Main Street
Mount Ephraim, NJ 08059

rpiequipment.com
(856) 456-0081 • office
(856) 742-1994 • fax

SPECIFICATIONS			
HAMMER MODEL	9B3	10B3	11B3
Weight of ram, lbs.	1,600	3,000	5,000
Rated striking energy per blow, ft. lbs.	8,750	13,100	19,150
Rated speed, blows per min., normal	145	105	95
Boiler horsepower required, ASME rating	85	104	126
Compressed air required. Actual cu. ft. in hammer. (1)	600	750	900
Steam or air pressure required at hammer. (2)	100	100	100
Minimum size hose openings & connections from boiler/comp. to hammer, in.	2	2½	2½
Size of exhaust openings in hammer, in.	3½	4	4
Bore, in.	8½	10	11
Stroke, in.	17	19	19
Overall length, top of bail to bottom of retainer legs, in.	99¾	110	133½
Width, in.	20	24	26
Overall depth, in.	25	27¼	29
Center line of hammer to rear of hammer, in.	11½	12¾	13¾
Maximum back-to-back spacing, angle-iron guides, in.	8½	10¼	15
Net weight with flat or bell (cup) anvil, hammer only, lbs.	7,000	10,850	14,000
Shipping weight hammer & fittings, lbs.	7,100	11,000	14,200

- NOTES:**
1. Due to line losses, leakage, etc., compressor capacity should exceed rating in an amount which varies with condition of equipment.
 2. Normally a pressure at the boiler or compressor 15 pounds in excess of rating is required.

#- LESS THAN 1 LB.

PART NAME	ITEM NO.	MODEL 9-B3				MODEL 10-B3				MODEL 11-B3			
		NO. REQ'D	WGT. EACH	OLD PART NO.	NEW PART NO.	NO. REQ'D	WGT. EACH	OLD PART NO.	NEW PART NO.	NO. REQ'D	WGT. EACH	OLD PART NO.	NEW PART NO.
TOP HEAD	1	1	267	1900	6200100	1	392	2000	6300100	1	420	2100	6400100
TOP HEAD STUD & NUT	2	6	2	1901	6200200	6	2	1901	6200200	6	2	200	6400200
VALVE COVER & FILTER	3	1	19	1902	6200300	1	24	2002	6300300	1	24	2002	6300300
FILTER	4	1	#	1902A	6200302	1	#	1902A	6200302	1	#	1902A	6200302
VALVE COVER STUD & NUT FRONT	5	2	2	1903	6200400	2	3	2003	6300400	2	3	2003	6300400
VALVE COVER STUD & NUT REAR	6	2	1	1904	6200500	2	2	2004	6300500	2	2	2004	6300500
TIE ROD NUT	7	4	5	1905A	4100320	4	5	1905A	4100320	4	5	1905A	4100320
TOP HEAD GASKET	8	1	1	1906	6200600	1	1	2006	6300600	1	1	2106	6400600
VALVE COVER GASKET	9	1	#	1906A	6200304	1	#	2006A	6300304	1	#	2006A	6300304
TIE ROD	10	4	85	1907A	6200706	4	100	2007A	6300703	4	110	2107A	6400703
TOP CYLINDER	11	1	1820	1908	6200801	1	2860	2008	6300801	1	1980	2108	6400801
VALVE	12	1	30	1909	6200900	1	30	2009	6300900	1	30	2009	6300900
OIL PLUG	13	2	#	1910	9300023	2	#	1910	9300023	2	#	1910	9300023
VALVE RING	14	2	#	1911	6201000	2	#	1911	6201000	2	#	1911	6201000
BEARING THRUST WASHER	15	1	1	1912	6201100	1	1	1912	6201100	1	1	1912	6201100
OIL POCKET CAP	16	2	1	1913	6201200	2	1	1913	6201200	2	1	1913	6201200
CAM ROD BEARING	17	2	1	1914	6201300	2	1	1914	6201300	2	1	1914	6201300
DRAIN PLUG	18	3	#	1915	9300018	3	#	1915	9300018	3	#	1915	9300018
INTERMEDIATE HEAD	19	1	216	1916	6203400	1	304	2016	6303400	1	380	2116	6403600
DOWEL PIN	20	2	#	1917	6201500	2	1	2017	6301500	2	1	2117	6401500
BOTTOM CYLINDER	21	1	1737	1918	6201600	1	2438	2018	6301600	1	3770	2118	6401600
AIR INLET PLUG	22	1	#	1919	9300023	1	#	2019	9300025	1	#	2019	9300025
ALUMINUM PISTON SLEEVE	23	1	1	1920	6201700	1	1	2020	6301700	1	2	2120	6401700
CAM ROD	24	1	19	1922	6201800	1	22	2022	6301800	1	22	2122	6401800
CAM THROW	25	1	14	1923	6990246	1	14	1923	6990246	1	14	1923	6990246
CAM THROW SPRING	26	1	#		9400013	1	#		9400013	1	#		9400013
CAM THROW RETAINER	27	1	#		2990162	1	#		2990162	1	#		2990162
BOTTOM HEAD	28	1	160	1925	6202102	1	277	2025	6302102	1	294	2125	6402102
ANVIL BLOCK, FLAT	29	1	370	1926	6202200	1	625	2026	6302200	1	818	2126	6402200
ANVIL BLOCK, CUP	30	1	450	1927	6950013	1	726	2027	6950021	1	990	2127	6950028
ANVIL RETAINER (2) PCS. FOR 9B3	31	1	251	1928	6202300	1	438	2028	6302302	1	450	2128	6402300
PISTON	32	1	225	1929	6202400	1	308	2029	6302400	1	328	2129	6402400
PISTON RING, STD.	33	1	1	1930	6990282	1	1	2030B	6202507	1	1	2130	6202511
GLAND RING, (2 PCS.)	34	1	19	1931	6202600	1	29	2031	6302600	1	29	2131	6402600
GLAND SPRING HOLDER PIN	35	6	#	1932	6202700	6	#	1932	6202700	6	#	1932	6202700
GLAND SPRING	36	6	#	1933	6202800	6	#	1933	6202800	6	#	1933	6202800
GLAND SPRING HOLDER, (2 PCS.)	37	1	13	1934	6202900	1	14	2034	6302900	1	14	2034	6302900
SET PACKING	38	1	1	1935	9350009	1	2	2035	9350010	1	2	2035	9350010
RAM GUIDE W/NUT	39	1	6	2136	6203000	1	7	2136	6203000	1	13	2136	6203000
RAM GUIDE NUT	40	1	1	1937	9002032	1	1	1937	9002032	2	1	1937	9002032
RAM	41	1	1339	1938	6203200	1	2714	2038	6303200	1	4600	2138	6403200
SET ANGLE IRON GUIDES	42	1	110	1943	6203300	1	150	2043	6303300	1	150		6303300
GUIDE STUD, NUT & LOCK WASHER	43	20	#	731	6001900	20	#	731	6001900	24	#	731	6001900
GATE VALVE	44	1	1945		9360009	1	2045		9360010	1	2045		9360010
STEAM LUB.	45	1	633		9360006	1	633		9360006	1	633		9360006
AIR LUB.	46	1	534		9360007	1	534		9360007	1	534		9360007
TIE ROD WRENCH	47	1	17	DX-1112	9280006	1	17	DX-1112	9280006	1	17	DX-1112	9280006
SHEAVE	48											2140	6403400
SHEAVE SHAFT	49											2142	6403500
COTTER PIN	50												9040007
SERVICE MANUAL													

NOTE - USE NEW PART NUMBERS. THESE REFLECT INTERCHANGABILITY. OLD NOS. FOR REF. ONLY